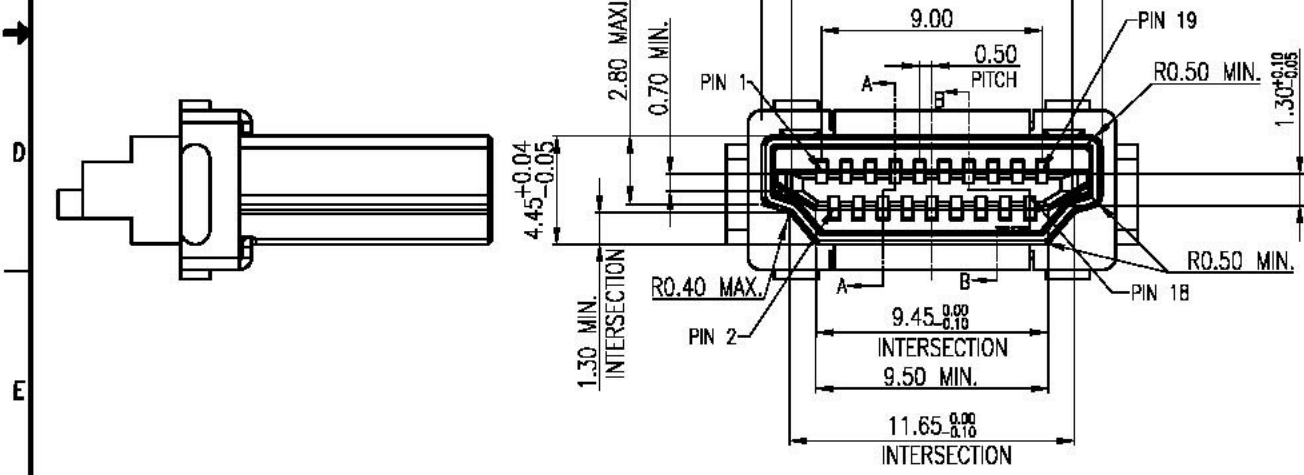
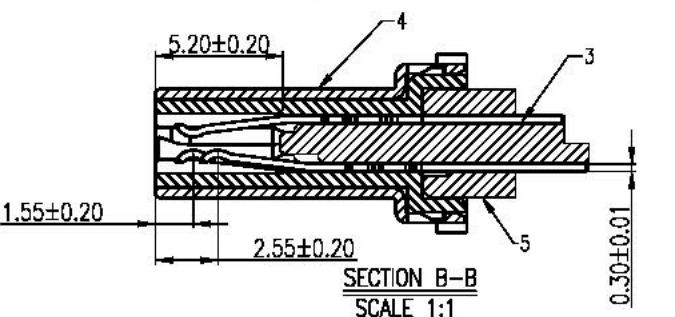
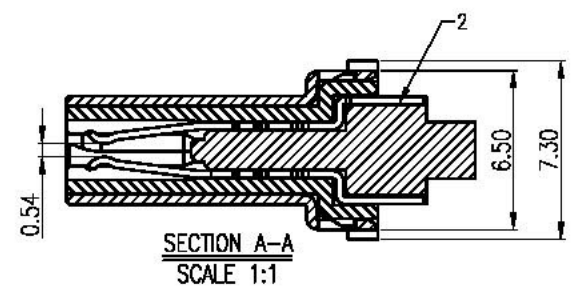
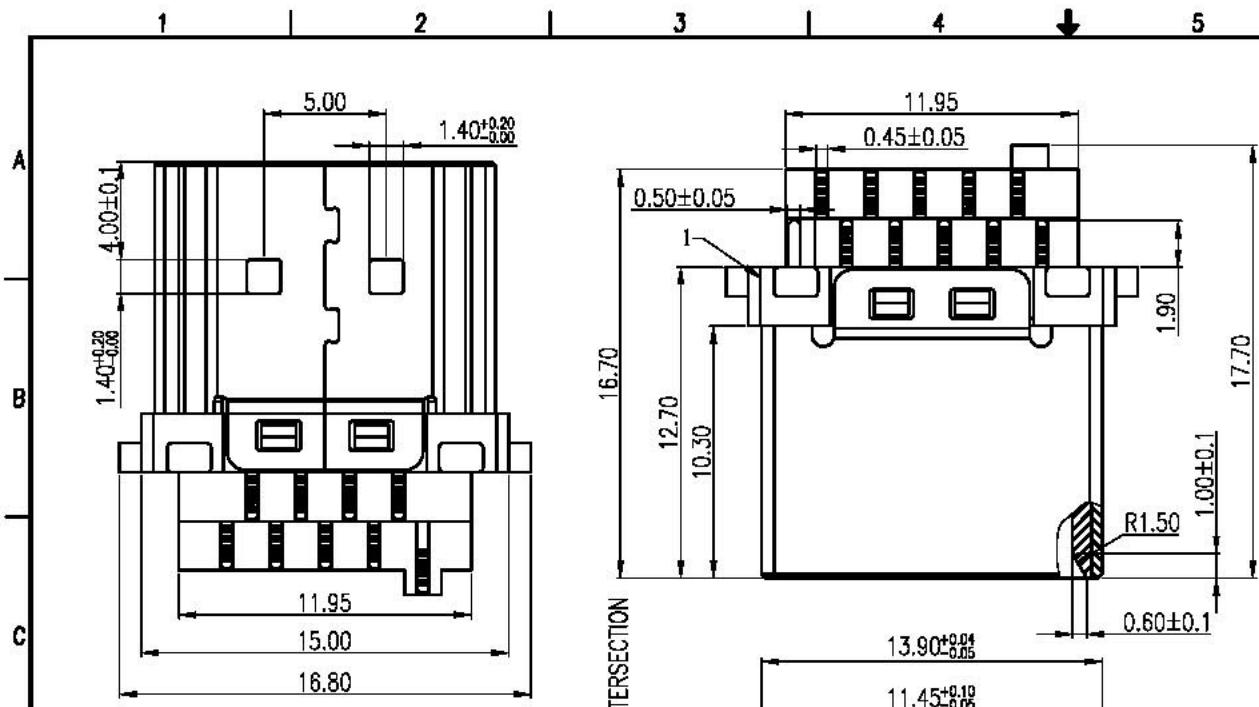


REV.	ECN NO	LOCATIONS	DESCRIPTION	DATE	REVISER	APPD



- Note:
- Material:
 - Insulator: Thermoplastic UL94V-0 color:black.
 - Contact: Phosphor bronze T=0.30mm.
 - Shell: Brass,t=0.40mm.
 - Specification:
 - Current rating: 0.5 A Max.
 - Voltage rating:40V AC(rms) Max.
 - Contact resistance: 50 milliohms Max.
 - Dielectric withstanding voltage:100V(ac) for 1 min.
 - Insulation resistance: 1000 MΩ Min.
 - Operation temperature range:-25°C~+85°C

PART NO:		MATERIAL:		CHANG ENN CO., LTD.	
MODEL NO:		FINSH:			
UNIT: mm	SIZE: A4	COLOR:		PART NAME:	
TOLERANCE UNSPECIFIED		DR: '06/09/06		HDMI-19P 180° SOLDER	
.x	±0.3	CHK: '06/09/06		DWG NO: PND32-01	
.xx	±0.20	APP: '06/09/06		REV: A0	
.xxx	±0.100	SCALE: 1:1		SHEET: 1 of 1	
ANG.	±1°				