

For Cable DIA									
F	6.0	7.0	8.0	9.0	10.0	11.0	12.0	13.0	14.5

	A±0.2	B±0.2	C±0.2	D±0.2	E±0.1	STF-4*12.5	STB-4*12.5	SN-4*5	SSW-4
25P	53.5	48.0	16.0	16.0	47.0	2PCS	2PCS	2PCS	2PCS

ENN.CORP Chang Enn Co., Ltd.

NO.410, FU-TEH 1ST ROAD,
SHIJR, TAIPEI COUNTY
221, TAIWAN, R.O.C.

TEL: 886-2-26945824

FAX: 886-2-26946971

TITLE

PARTS NO.

DWG, NO.

D-SUB Metal Hood
(V-Type)
Short Screw

PM02-25S

GENERAL TOLERANCE

DIM:
X. ±0.30
X.X ±0.20
X.XX±0.10

DRAWN

CHECK

APPROVE

SCALE

DATE

DATE

DATE

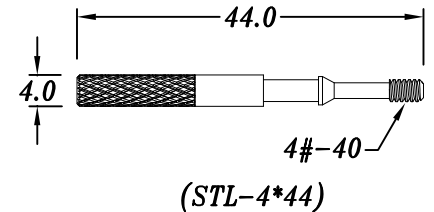
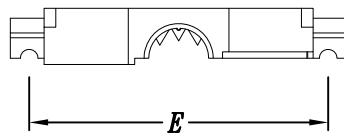
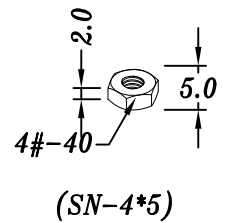
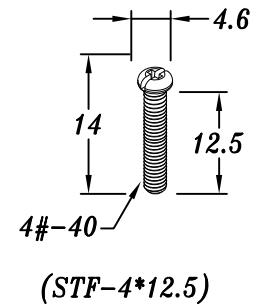
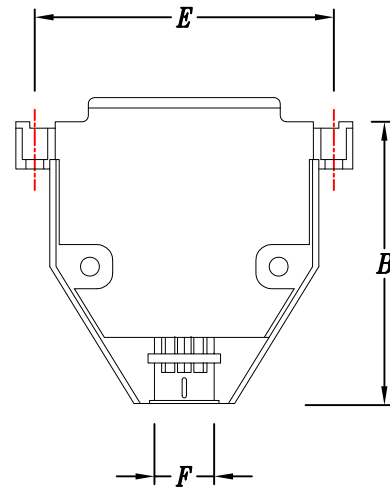
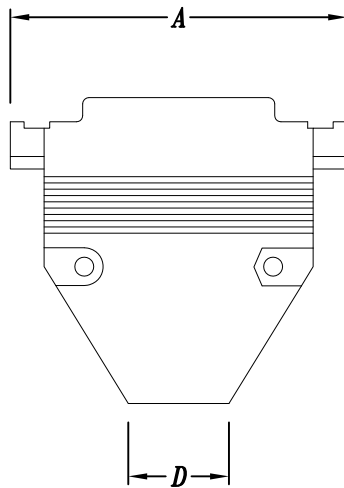
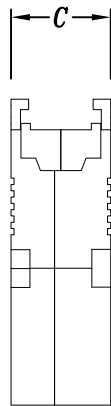
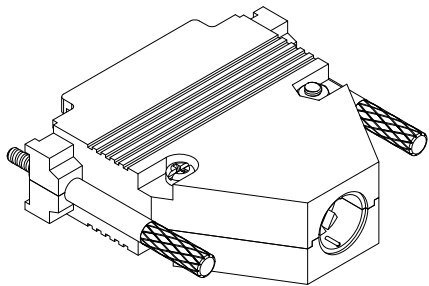
FREE

UNIT

MM REV. B

94/03/17

103/07/28



For Cable DIA

F	6.0	7.0	8.0	9.0	10.0	11.0	12.0	13.0	14.5
---	-----	-----	-----	-----	------	------	------	------	------

	A±0.2	B±0.2	C±0.2	D±0.2	E±0.1	STF-4*12.5	SN-4*5	STL-4*44
25P	53.5	48.0	16.0	16.0	47.0	2PCS	2PCS	2PCS

ENN.CORP Chang Enn Co., Ltd.

NO.410, FU-TEH 1ST ROAD,
SHIJR, TAIPEI COUNTY
221, TAIWAN, R.O.C.
TEL: 886-2-26945824
FAX: 886-2-26946971

TITLE
D-SUB Metal Hood
(V-Type)
Long Screw
PARTS NO. PM02-25L
DWG, NO.

GENERAL TOLERANCE
DIM:
X. ±0.30
X.X ±0.20
X.XX±0.10

DRAWN		DATE	94/03/17
CHECK		DATE	103/07/28
APPROVE		DATE	
SCALE	FREE	UNIT	MM REV. B