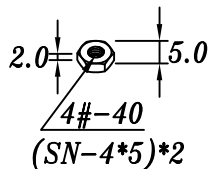
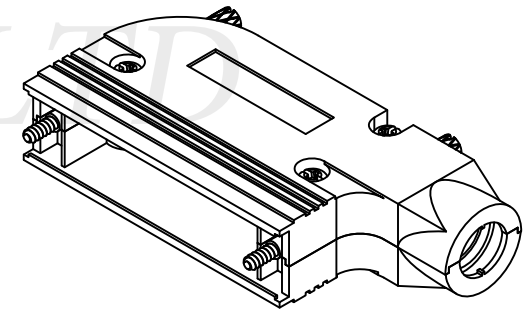
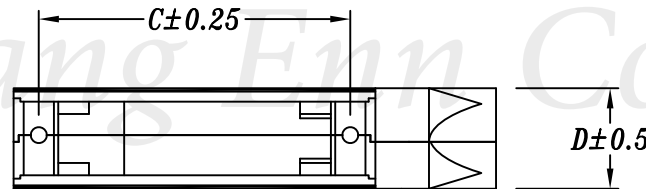
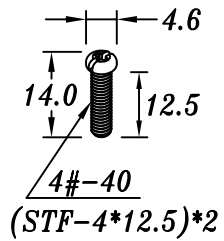


E: For Cable DIA



	A	B	C	D	E	STF-4*12.5	SN-4*5	STL-4*44
25P	72.0	33.0	47.0	16.0	7.5 /9.0 /11.0 /13.0	3PCS	3PCS	2PCS

ENN.CORP Chang Enn Co., Ltd.

NO.410, FU-TEH 1ST ROAD,
SHIJR, TAIPEI COUNTY
221, TAIWAN, R.O.C.

TEL: 886-2-26945824

FAX: 886-2-26946971

TITLE

PARTS NO.

DWG, NO.

D-SUB 25Pin
Metal Hood
Right Angle

PM05-25L

GENERAL TOLERANCE

DIM:
X. ± 0.30
X.X ± 0.20
X.XX ± 0.10

DRAWN

CHECK

APPROVE

SCALE

DATE 91/05/09

DATE 103/10/30

DATE

FREE

UNIT

MM REV. C