

PART NO	A±0.25	B±0.20	C±0.20	D±0.20	E±0.30	F±0.10	G±0.25	H±0.05
PND12HD-15P	30.81	24.99	16.92	8.38	16.0	3.96	12.55	2.29
PND12HD-26P	39.25	33.32	25.25	8.38	16.0	3.96	12.55	2.29
PND12HD-44P	53.04	47.04	38.96	8.38	16.0	3.96	12.55	2.29
PND12HD-62P	69.50	63.50	55.42	8.38	16.0	3.96	12.55	2.29
PND12HD-78P	67.10	61.00	52.81	11.07	16.0	6.24	15.30	2.41

REV.	ECN NO	LOCATIONS	DESCRIPTION	DATE	REVISED	APPD

PND12HD-XX PB-A

D-Sub High Density Crimp (Female)

No. of Contact: 09, 26, 44, 62, 78

Contact Type: S= FEMALE, P=MALE

Mounting Hole: A= A TYPE, B= B TYPE

Insulation Color: B= BLACK

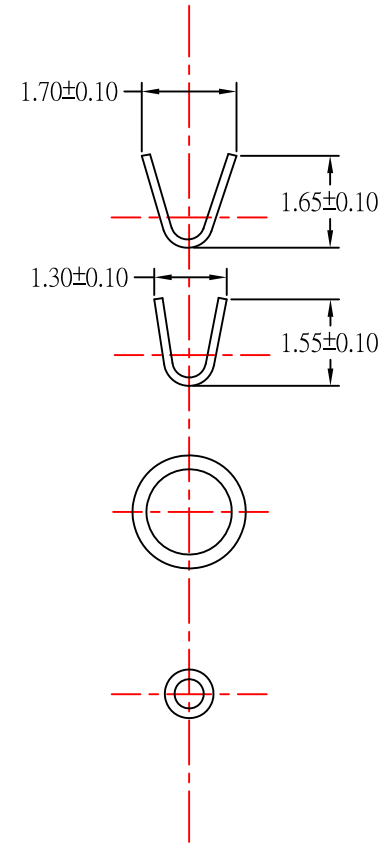
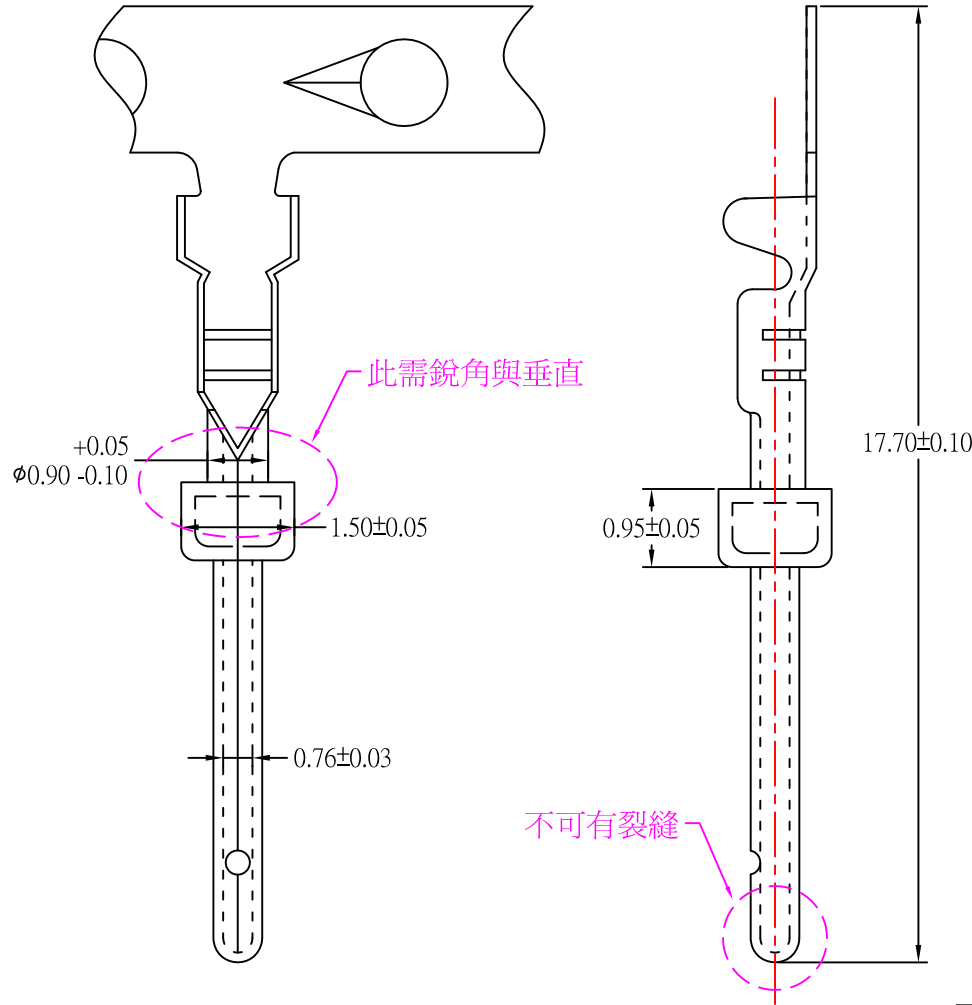
- Note:
- Material:
 - Insulator: High temperature thermoplastic with g.f,UL94v-0
 - Contact: Copper alloy,t=0.20mm
 - Shell: Spcc,t=0.30mm
 - Specification:
 - Current rating: 1 A Max.
 - Dielectric withstanding voltage: 750 V(ac) for 1 min.
 - Contact resistance: 30 mW Max.
 - Insulation resistance: 1000 MW Min.
 - Total mating force: 7.0 Kgf Max.
 - Total unmating force: 1.5 Kgf Min.
 - Temperature range: -55°C~85°C

8	Back-shell			
7	Front-shell			
6	Clip			No finish
5	Contact			Selective Au plated on mating area
4	Contact			
3	Contact			
2	Contact			
1	Housing			Black
No.	Name	Qty	Part No.	Finish

PART NO:		MATERIAL:		長榮有限公司	
MODEL NO:		FINSH:			
UNIT: mm	SIZE:	COLOR:		PART NAME: D-SUB High Density Crimp (Male)	
TOLERANCE UNSPECIFIED		DR: YuHong		DWG NO: PND12HD-XXPB	
.x ±0.3	.xx ±0.20	CHK: Nick		REV: A02	
.xxx ±0.100	ANG. ±1°	APP: Kent		SCALE: 1:1	
				SHEET: 1 of 1	

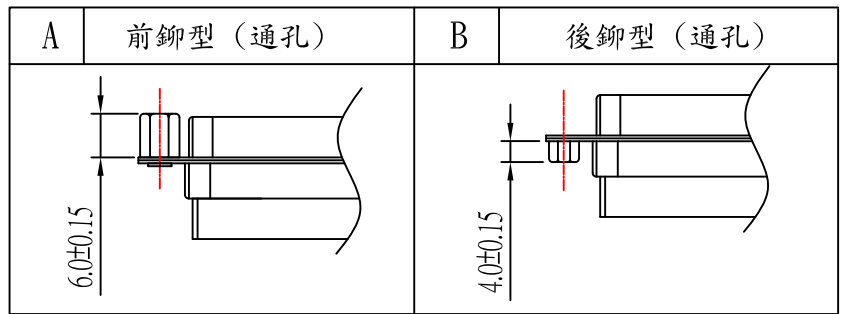
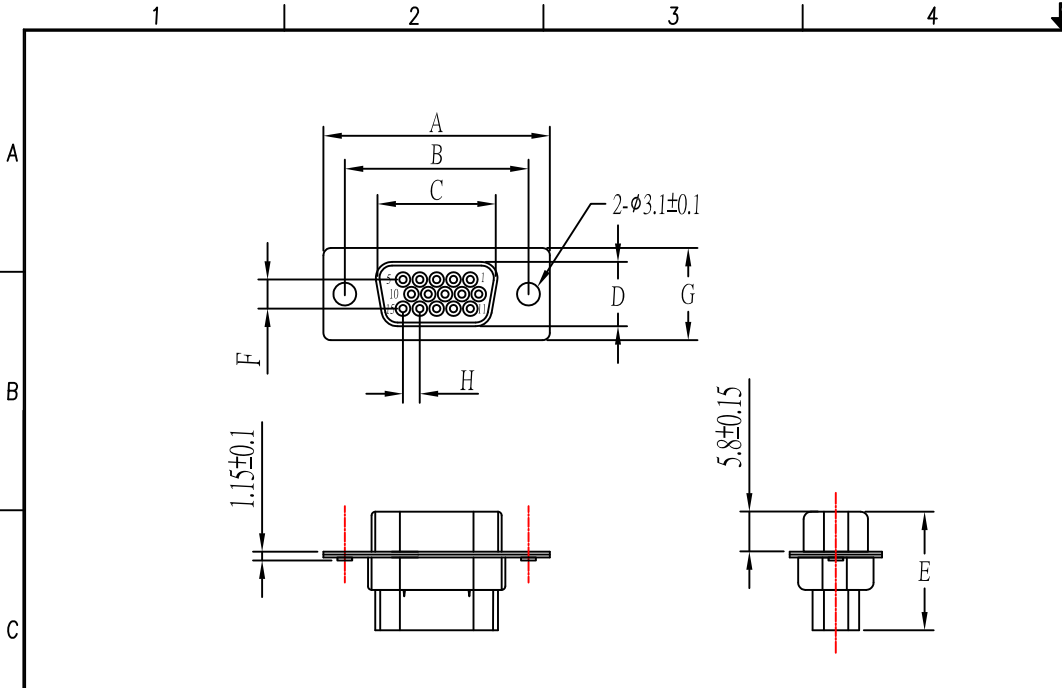


REV.	ECN NO	LOCATIONS	DESCRIPTION	DATE	REVISED	APPD



材質: 青銅
電鍍: Gold Flash

PART NO:		MATERIAL:		長榮有限公司	
MODEL NO:		FINISH:			
UNIT: mm	SIZE:	COLOR:		PART NAME:	
TOLERANCE UNSPECIFIED		DR: YuShong		OP0.76 Terminal(Male)	
.x	± 0.3	CHK: Nick		DWG NO: PND12HD-DP	REV: A1
.xx	± 0.20	APP: Kent		SCALE: 8:1	SHEET:
.xxx	± 0.100				
ANG.	$\pm 1^\circ$				



PART NO	A±0.25	B±0.20	C±0.20	D±0.20	E±0.30	F±0.10	G±0.25	H±0.05
PND12HD-15S	30.81	24.99	16.33	7.90	16.0	3.96	12.55	2.29
PND12HD-26S	39.25	33.32	25.25	7.90	16.0	3.96	12.55	2.29
PND12HD-44S	53.10	47.10	38.38	7.90	16.0	3.96	12.55	2.29
PND12HD-62S	69.50	63.50	54.84	7.90	16.0	3.96	12.55	2.29
PND12HD-78S	67.10	61.00	52.43	10.74	16.0	6.24	15.30	2.41

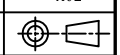
REV.	ECN NO	LOCATIONS	DESCRIPTION	DATE	REVISED	APPD

PND12HD-XXSB-A
 D-Sub High Density Crimp (Female)
 No. of Contact: 09, 26, 44, 62, 78
 Contact Type: S=FEMALE, P=MALE
 Mounting Hole: A= A TYPE, B= B TYPE
 Insulation Color: B= BLACK

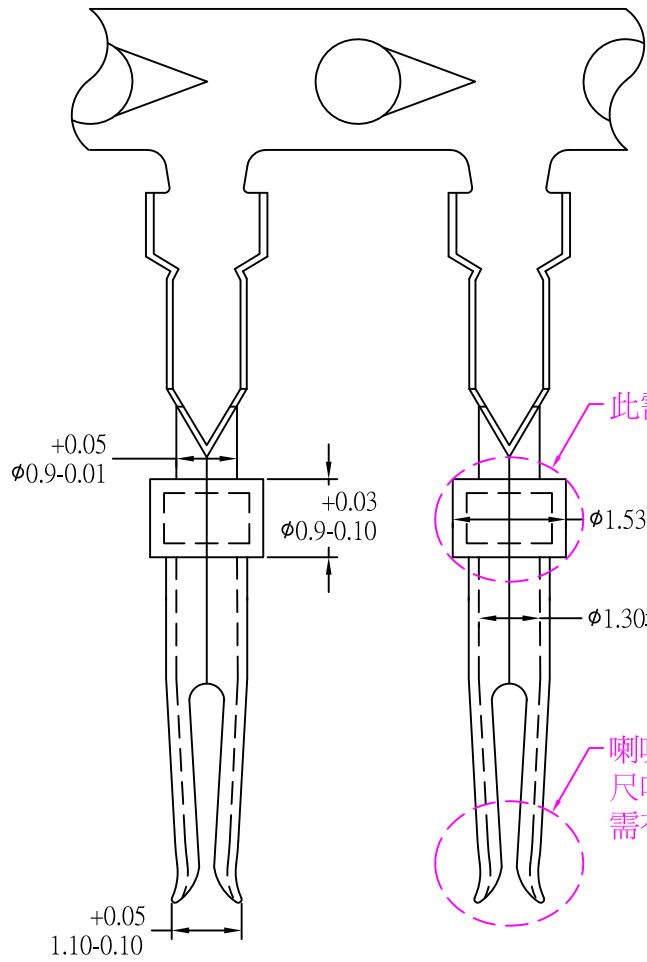
- Note:
- Material:
 - Insulator: High temperature thermoplastic with g.f,UL94v-0
 - Contact: Copper alloy,t=0.20mm
 - Shell: Spcc,t=0.30mm
 - Specification:
 - Current rating: 1 A Max.
 - Dielectric withstanding voltage: 750 V(ac) for 1 min.
 - Contact resistance: 30 mW Max.
 - Insulation resistance: 1000 MW Min.
 - Total mating force: 7.0 Kgf Max.
 - Total unmating force: 1.5 Kgf Min.
 - Temperature range: -55°C~85°C

8	Back-shell			
7	Front-shell			
6	Clip			No finish
5	Contact			Selective Au plated on mating area
4	Contact			
3	Contact			
2	Contact			
1	Housing			Black
No.	Name	Qty	Part No.	Finish

PART NO:		MATERIAL:		長榮有限公司	
MODEL NO:		FINSH:			
UNIT: mm	SIZE:	COLOR:		PART NAME: D-SUB High Density Crimp (Female)	
TOLERANCE UNSPECIFIED		DR: YuHong		DWG NO: PND12HD-XXSB	
.x ±0.3	.xx ±0.20	CHK: Nick		REV: A02	
.xxx ±0.100	ANG. ±1°	APP: Kent		SCALE: 1:1	
				SHEET: 1 of 1	

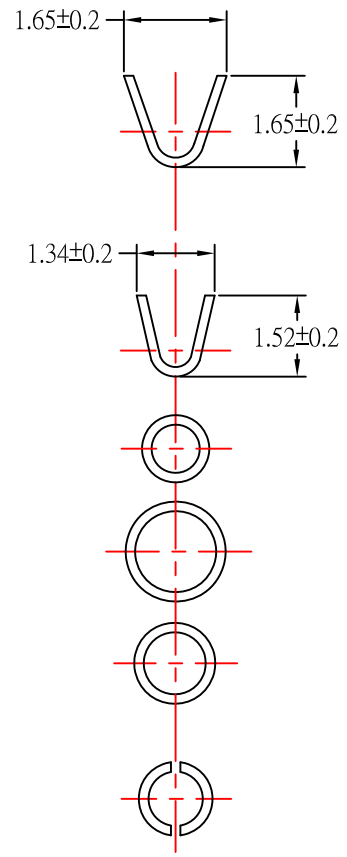
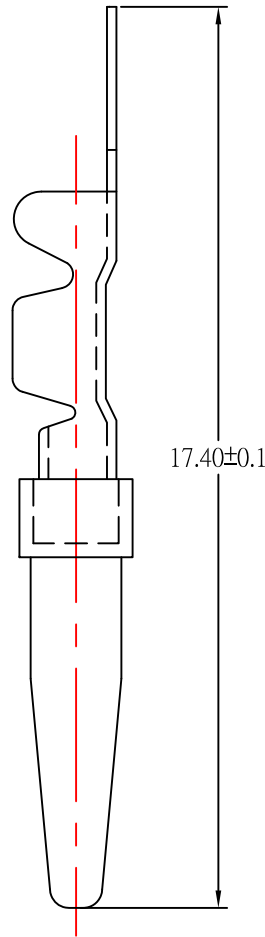


REV.	ECN NO	LOCATIONS	DESCRIPTION	DATE	REVISED	APPD




此需銳角與垂直

喇叭口插入0.76公端
尺寸1.55±0.05
需有保持力



材質: 青銅
電鍍: Gold Flash

PART NO:		MATERIAL:		 長榮有限公司	
MODEL NO:		FINISH:			
UNIT: mm	SIZE:	COLOR:		PART NAME:	
TOLERANCE UNSPECIFIED		DR: <i>YuShong</i>		CP0.76 Terminal(Female)	
.x ±0.3	.xx ±0.20	CHK: <i>Nick</i>		DWG NO: PND12HD-DS	REV: A1
.xxx ±0.100	ANG. ±1°	APP: <i>Kent</i>		SCALE: 8:1	SHEET:

