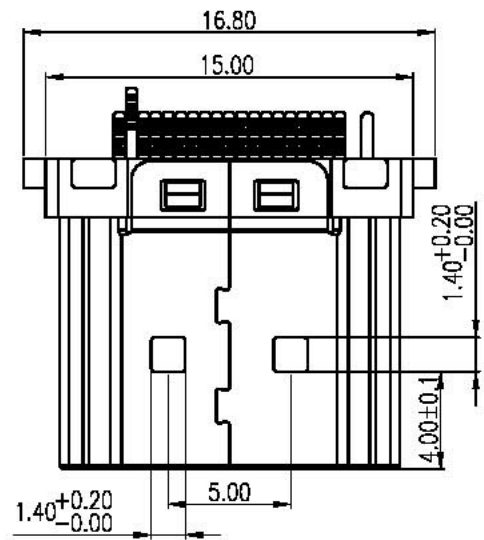
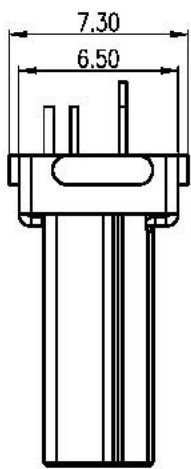
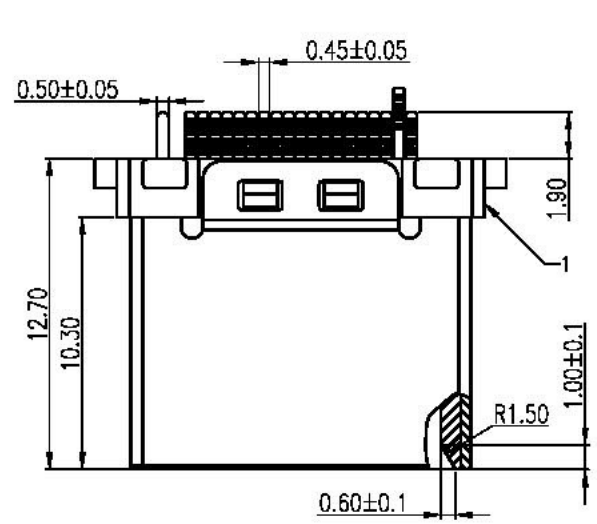


REV.	ECN NO	LOCATIONS	DESCRIPTION	DATE	REVISER	APPD



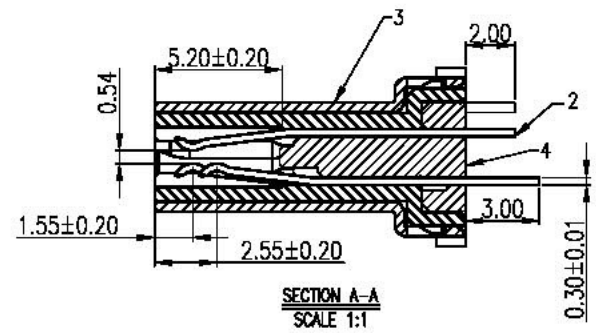
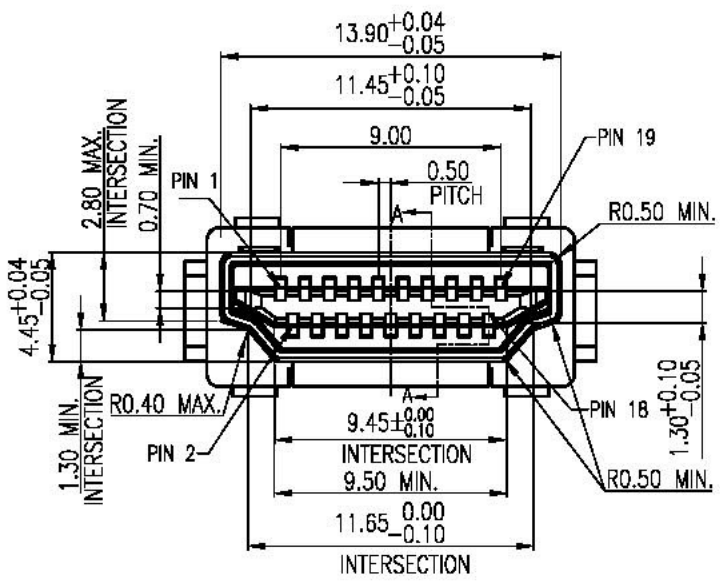
Note:

1.Material:

- 1.1 Insulator: Thermoplastic UL94V-0 color:black.
- 1.2 Contact: Phosphor bronze T=0.30mm.
- 1.3 Shell: Brass,t=0.40mm.
- 1.4 Spacer: Thermoplastic UL94V-0 color:black.

2.Specification:

- 2.1 Current rating: 0.5 A Max.
- 2.2 Voltage rating:40V AC(rms) Max.
- 2.3 Contact resistance: 50 milliohms Max.
- 2.4 Dielectric withstanding voltage:100V(ac) for 1 min.
- 2.5 Insulation resistance: 1000 MΩ Min.
- 2.6 Operation temperature range:-25°C~+85°C



PART NO:		MATERIAL:		CHANG ENN CO., LTD.			
MODEL NO:		FINSH:					
UNIT: mm	SIZE: A4	COLOR:		PART NAME:			
TOLERANCE UNSPECIFIED		DR: '06/04/28		HDMI-19PIN(M) 180° DIP			
.x	±0.3	CHK: '06/04/28		DWG NO: PND32-02		REV: A0	
.xx	±0.20	APP: '06/04/28		SCALE: 1:1		SHEET: 1 of 1	
.xxx	±0.100						
ANG.	±1°						