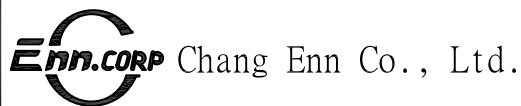


	37P	25P	23P	15P	09P		STF-4*12.5	SN-4*5	STB-4*12.5	STF-4*7	SG-D09-1	SG-D15-1	SG-D25-1	SSW-4
A±0.5	69.5	55.0	50.2	40.0	30.5	09P	2PCS	2PCS	2PCS	2PCS	2PCS			2PCS
B±0.5	22.0	16.5	16.2	16.2	16.0	15P	2PCS	2PCS	2PCS	2PCS		2PCS		2PCS
C±0.5	53.0	44.5	41.7	37.4	41.0	23P	2PCS	2PCS	2PCS	2PCS			2PCS	2PCS
D±0.3	63.5	47.0	44.2	33.3	25.0	25P	2PCS	2PCS	2PCS	2PCS			2PCS	2PCS
E±0.5	14.0	10.7	10.1	9.9	7.0	37P	2PCS	2PCS	2PCS	2PCS			2PCS	2PCS



NO.410, FU-TEH 1ST ROAD,
SHIJR, TAIPEI COUNTY
221, TAIWAN, R.O.C.

TEL: 886-2-26945824

FAX: 886-2-26946971

TITLE

D-SUB HOOD
(Lock Up Type)
Short Screw

PARTS NO.

PH01-09~37S

DWG, NO.

GENERAL
TOLERANCE

DIM:
X. ±0.30
X.X ±0.20
X.XX±0.10

DRAWN

CHECK

APPROVE

SCALE

DATE

DATE

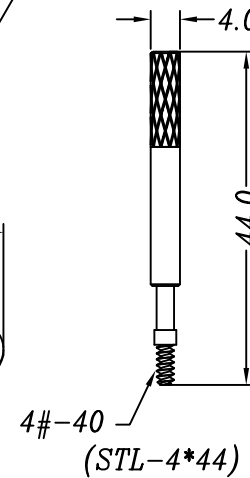
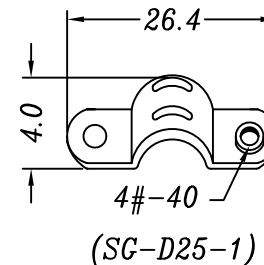
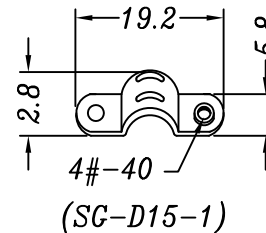
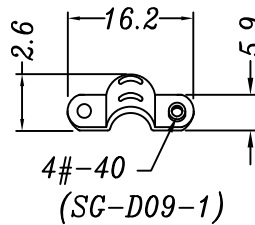
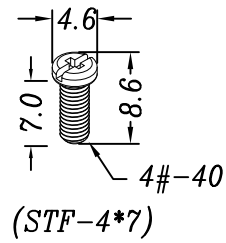
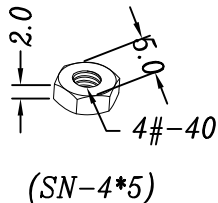
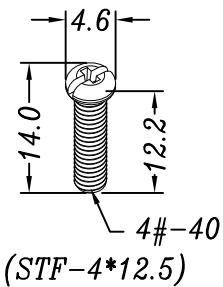
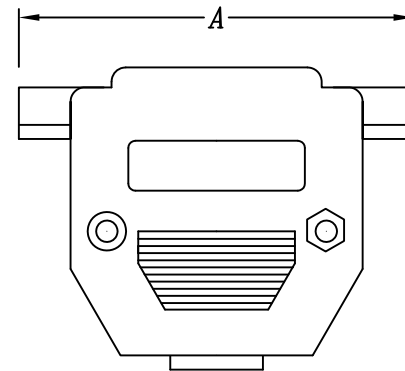
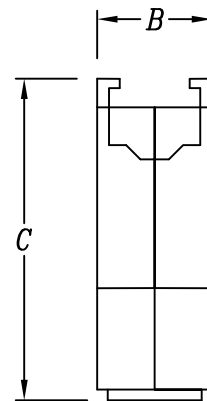
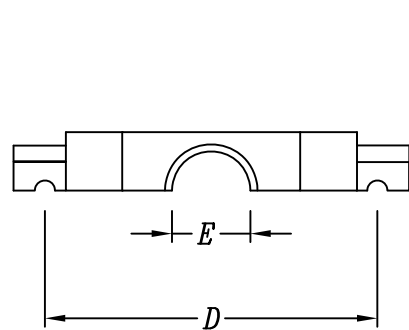
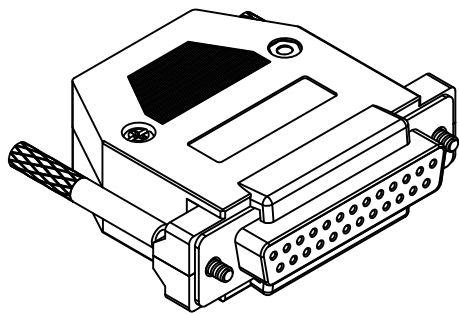
DATE

UNIT

93/11/25

103/10/30

MM REV. D



	37P	25P	23P	15P	09P
A±0.5	69.5	55.0	50.2	40.0	30.5
B±0.5	22.0	16.5	16.2	16.2	16.0
C±0.5	53.0	44.5	41.7	37.4	41.0
D±0.3	63.5	47.0	44.2	33.3	25.0
E±0.5	14.0	10.7	10.1	9.9	7.0

	STF-4*12.5	SN-4*5	STL-4*44	STF-4*7	SG-D09-1	SG-D15-1	SG-D25-1
09P	2PCS	2PCS	2PCS	2PCS	2PCS		
15P	2PCS	2PCS	2PCS	2PCS		2PCS	
23P	2PCS	2PCS	2PCS	2PCS			2PCS
25P	2PCS	2PCS	2PCS	2PCS			2PCS
37P	2PCS	2PCS	2PCS	2PCS			2PCS

ENN.CORP Chang Enn Co., Ltd.

NO.410, FU-TEH 1ST ROAD,
SHIJR, TAIPEI COUNTY
221, TAIWAN, R.O.C.

TEL: 886-2-26945824

FAX: 886-2-26946971

TITLE

PARTS NO.

DWG, NO.

D-SUB HOOD
(Lock Up Type)
Long Screw

PH01-09~37L

GENERAL
TOLERANCE

DIM:
X. ±0.30
X.X ±0.20
X.XX±0.10

DRAWN

CHECK

APPROVE

SCALE

DATE

DATE

DATE

UNIT

93/12/14

103/10/30

MM REV. D