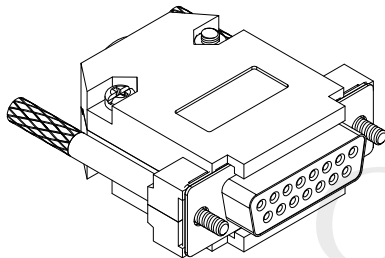
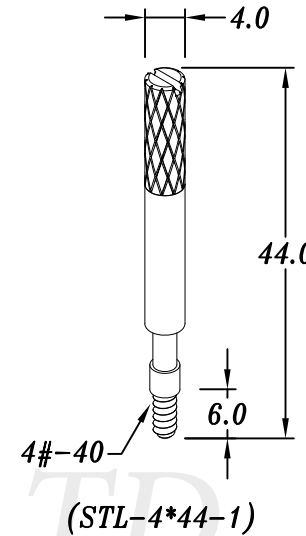
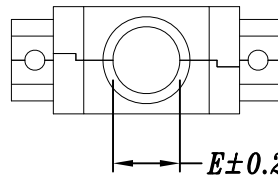
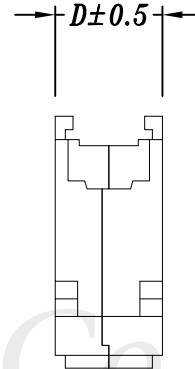
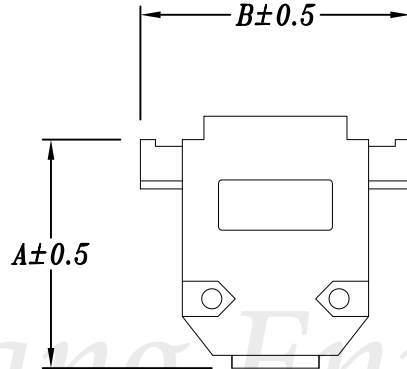
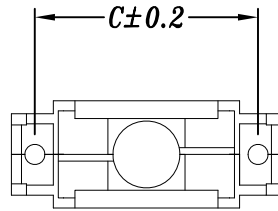


Short Screw

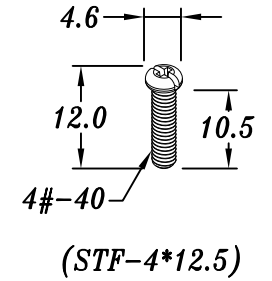


Long Screw

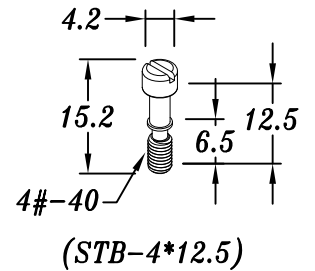
Material :Zinc Alloy
Finished :Nickel Plated



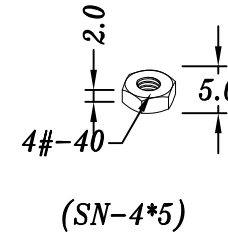
(STL-4*44-1)



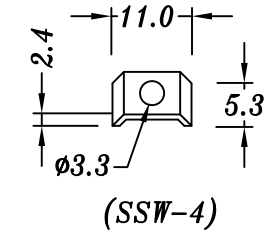
(STF-4*12.5)



(STB-4*12.5)

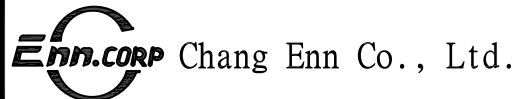


(SN-4*5)



(SSW-4)

	A±0.5	B±0.5	C±0.2	D±0.5	E±0.2	STB-4*12.5	STL-4*44-1	STF-4*12.5	SN-4*5	SSW-4
15S	37.6	40.3	33.32	16.0	10.0	2PCS		2PCS	2PCS	2PCS
15L	37.6	40.3	33.32	16.0	10.0		2PCS	2PCS	2PCS	



NO.410, FU-TEH 1ST ROAD,
SHIJR, TAIPEI COUNTY
221, TAIWAN, R.O.C.

TEL: 886-2-26945824

FAX: 886-2-26946971

TITLE

D-SUB Metal Hood
(V-Type)

PARTS NO.

PM01A-15

DWG. NO.

GENERAL
TOLERANCE

DIM:
X. ±0.30
X.X ±0.20
X.XX±0.10

DRAWN

CHECK

APPROVE

SCALE

DATE

DATE

DATE

FREE

UNIT

MM

REV. B

94/08/27

103/12/14