

For Cable DIA				
F	10.0	12.0	14.0	16.0

	A±0.2	B±0.2	C±0.2	D±0.2	E±0.1	STF-4*12.5	STB-4*12.5	SN-4*5	SSW-4
37P	69.2	48.6	16.0	24.5	63.5	2PCS	2PCS	2PCS	2PCS

ENN.CORP Chang Enn Co., Ltd.

NO.410, FU-TEH 1ST ROAD,
SHIJR, TAIPEI COUNTY
221, TAIWAN, R.O.C.

TEL: 886-2-26945824

FAX: 886-2-26946971

TITLE

D-SUB Metal Hood
(V-Type)
Short Screw

PARTS NO.

PM02-37S

DWG, NO.

GENERAL TOLERANCE

DIM:
X. ±0.30
X.X ±0.20
X.XX±0.10

DRAWN

CHECK

APPROVE

SCALE

DATE

DATE

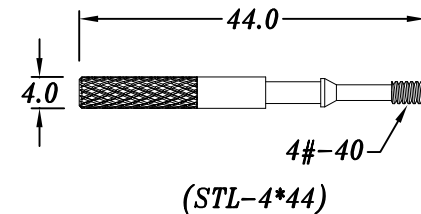
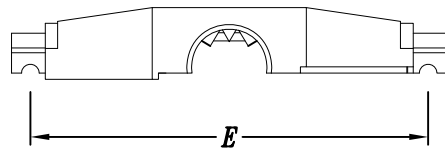
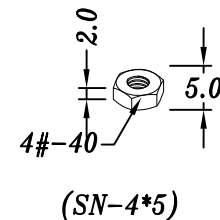
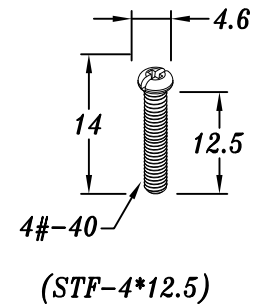
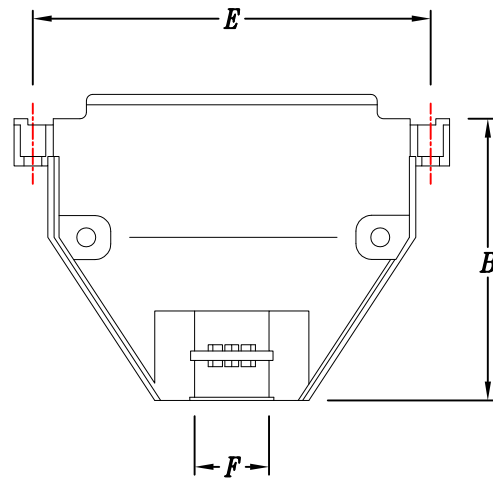
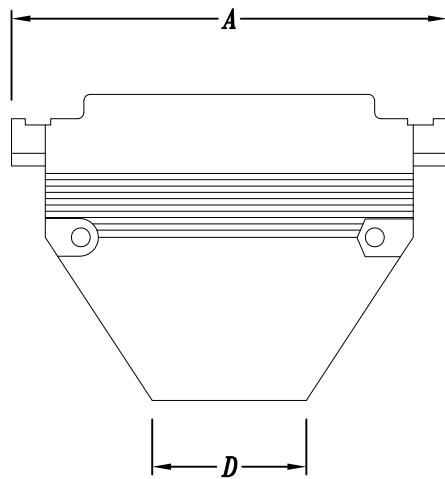
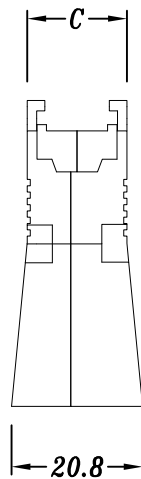
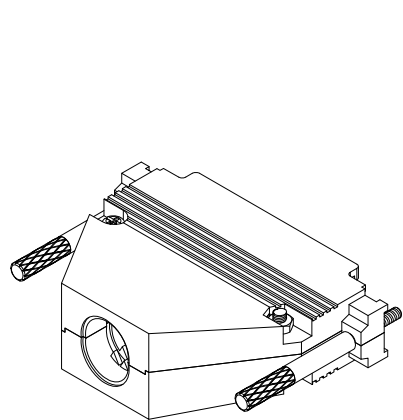
DATE

UNIT

94/08/01

103/07/31

MM REV. B



For Cable DIA				
F	10.0	12.0	14.0	16.0

	A±0.2	B±0.2	C±0.2	D±0.2	E±0.1	STF-4*12.5	SN-4*5	STL-4*44
37P	69.2	48.6	16.0	24.5	63.5	2PCS	2PCS	2PCS

ENN.CORP Chang Enn Co., Ltd.

NO.410, FU-TEH 1ST ROAD,
SHIJR, TAIPEI COUNTY
221, TAIWAN, R.O.C.
TEL: 886-2-26945824
FAX: 886-2-26946971

TITLE D-SUB Metal Hood
(V-Type)
Long Screw
PARTS NO. PM02-37L
DWG, NO.

GENERAL TOLERANCE
DIM:
X. ±0.30
X.X ±0.20
X.XX±0.10

DRAWN		DATE	94/08/01
CHECK		DATE	103/07/30
APPROVE		DATE	
SCALE	FREE	UNIT	MM REV. B