

REV.	ECN NO	LOCATIONS	DESCRIPTION	DATE	REVISER	APPD

PND05 B- 00 P B

**SERIES:**  
2.77mm D-USB PCB  
Right Angle Type

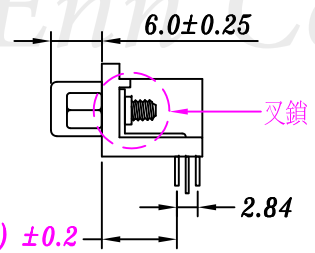
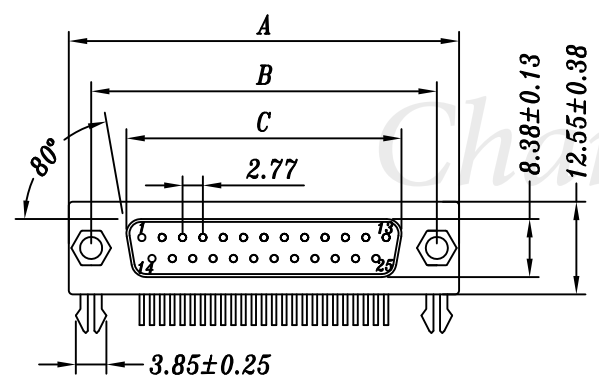
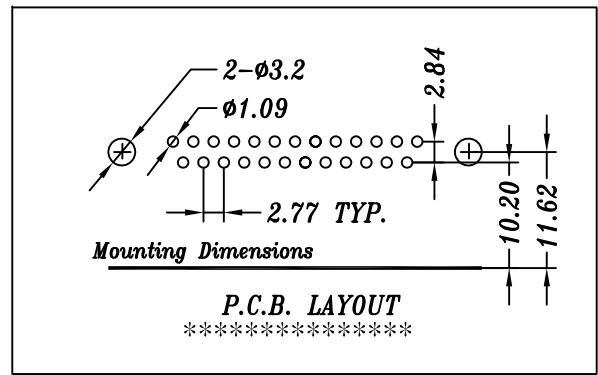
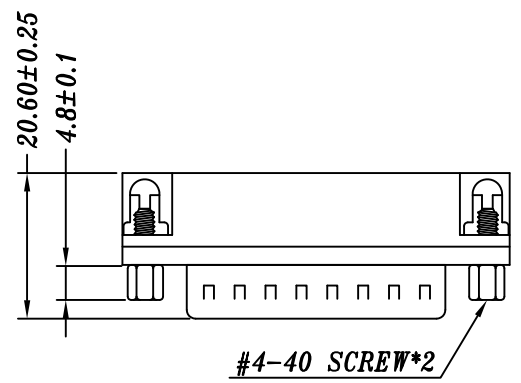
**FOOTPRINT:**  
=8.08 (.318")  
A=9.04 (.370")  
B=10.02 (.401")  
C=14.84 (.509")

**NO.OF CONTACT:**  
09 /15 /25 /37

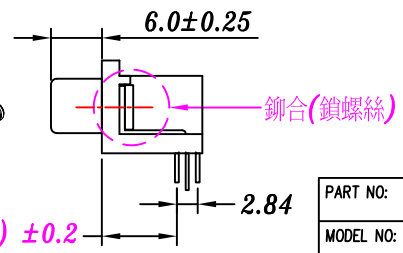
**SELECT:**  
X= 叉鎖  
M= 鉚合

**INSULATOR COLOR:**  
B=Black(Standard)

**CONTACT TYPE:**  
S= Female  
P= Male



10.20(.401) ±0.2



10.20(.401) ±0.2

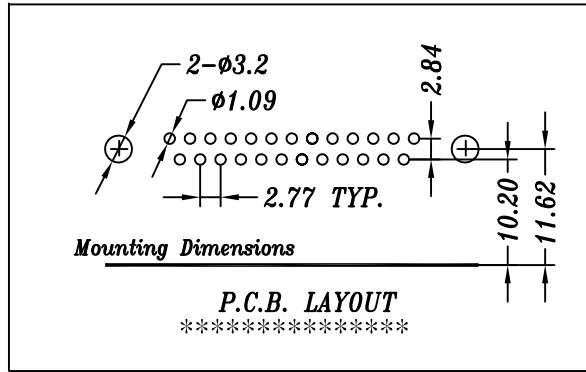
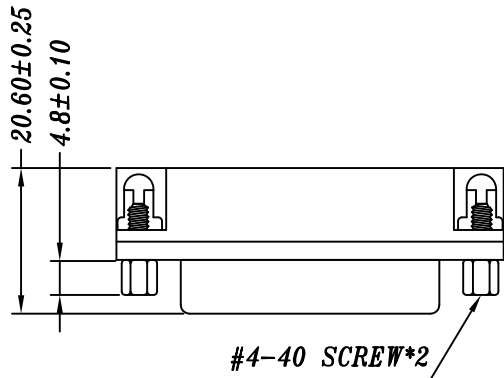
**Note:**

- Material:**
  - Insulator: PBT+30% Glass Fiber UL94V-0
  - Contact: Brass
  - Contact Plated: Gold, Tin Plated or Gold Plated
  - Shell: Steel, Nickel Plated or Tin Plated
  - Screw: Brass Nickel Plated
- Specification:**
  - Current Rating: 5 Amps
  - Insulation Resistance: 5000 MΩ Min at 500V DC
  - Dielectric Strength: 1000V Per Minute
  - Temperature range: -55°C ~ 105°C

PART NO	A±0.38	B±0.25	C±0.13
PND05B-09P	30.81	24.99	16.92
PND05B-15P	39.14	33.32	25.25
PND05B-25P	53.04	47.04	38.96
PND05B-37P	69.32	63.50	55.42

PART NO:		MATERIAL:		長榮有限公司	
MODEL NO:		FINSH:			
UNIT: mm	SIZE:	COLOR:		PART NAME: D-SUB PCB Right Angle Type 10.20(.401") Footprint for Male	
TOLERANCE UNSPECIFIED		DR:		DWG NO: PND05B- <u>XX</u> PB	
.x	±0.3	CHK:		REV: A03	
.xx	±0.20	APP:		SCALE: 1:1	
.xxx	±0.100			SHEET: 1 of 1	
ANG.	±1°				

REV.	ECN NO	LOCATIONS	DESCRIPTION	DATE	REVISER	APPD



PND05 B- 00 S B

**SERIES:**  
2.77mm D-USB PCB  
Right Angle Type

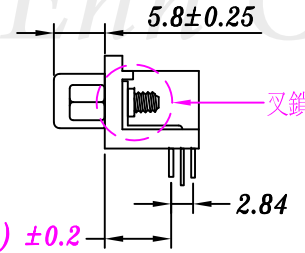
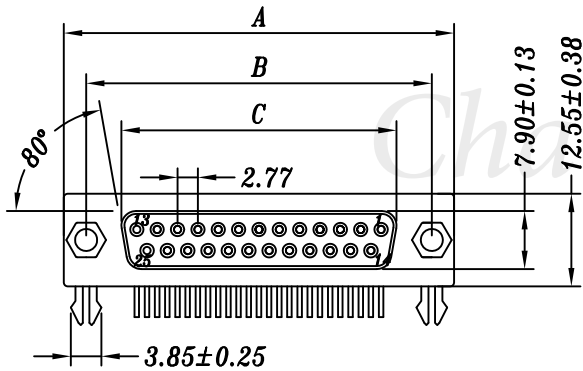
**FOOTPRINT:**  
=8.08 (.318")  
A=9.04 (.370")  
B=10.02 (.401")  
C=14.84 (.509")

**NO.OF CONTACT:**  
09 /15 /25 /37

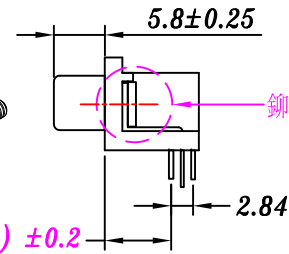
**SELECT:**  
X= 叉鎖  
M= 鉚合

**INSULATOR COLOR:**  
B=Black(Standard)

**CONTACT TYPE:**  
S= Female  
P= Male



10.20(.401") ±0.2



10.20(.401") ±0.2

**Note:**

**1. Material:**

- 1.1 Insulator: PBT+30% Glass Fiber UL94V-0
- 1.2 Contact: Brass
- 1.3 Contact Plated: Gold, Tin Plated or Gold Plated
- 1.4 Shell: Steel, Nickel Plated or Tin Plated
- 1.5 Screw: Brass Nickel Plated

**2. Specification:**

- 2.1 Current Rating: 5 Amps
- 2.2 Insulation Resistance: 5000 MΩ Min at 500V DC
- 2.3 Dielectric Strength: 1000V Per Minute
- 2.4 Temperature range: -55°C ~ 105°C

PART NO	A±0.38	B±0.25	C±0.13
PND05B-09S	30.81	24.99	16.30
PND05B-15S	39.14	33.32	24.66
PND05B-25S	53.04	47.04	38.38
PND05B-37S	69.32	63.50	54.83

PART NO:		MATERIAL:		長榮有限公司	
MODEL NO:		FINISH:			
UNIT: mm	SIZE:	COLOR:		PART NAME: D-SUB PCB Right Angle Type 10.20(.401") Footprint for Female	
TOLERANCE UNSPECIFIED		DR:		DWG NO: PND05B-XXSB	
.x	±0.3	CHK:		REV: A03	
.xx	±0.20	APP:		SCALE: 1:1	
.xxx	±0.100			SHEET: 1 of 1	
ANG.	±1°				